

*raft-R-mate*TM



INNOVATIONS FOR LIVINGTM



ATTIC RAFTER VENT

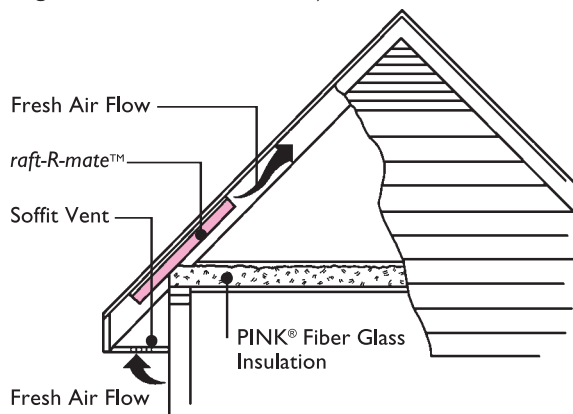
Unique design assures unrestricted air flow from soffit to attic

- Year-round performance – in summer, aids in reducing heat build-up and cooling requirements; in winter, prevents roof damage by reducing moisture build-up
- Durable, break-resistant, yet lightweight for easy installation; will not rot or deteriorate
- Perforated design snaps in half for use in both new (24") and retrofit (16") construction

raft-R-mate™...YEAR-ROUND PERFORMANCE AND DURABILITY IN A QUALITY ATTIC RAFTER VENT.

raft-R-mate™ is a rigid foam extruded polystyrene rafter vent that assures the unrestricted flow of fresh air from the soffit to the attic through the thickest part of the fibrous or loose-fill insulation.

It offers year-round performance by aiding cross-ventilation in summer for increased comfort and reduced cooling requirements, and by helping to prevent ice dams in winter. raft-R-mate's™ high resistance to moisture means it will not rot or decay over time. Years later, the product will perform as effectively as it did the day it was installed. Its built-in rigidity makes it extremely break-resistant and easy to install. raft-R-mate™ is designed for use as an integral component of a building's insulation/ventilation system.



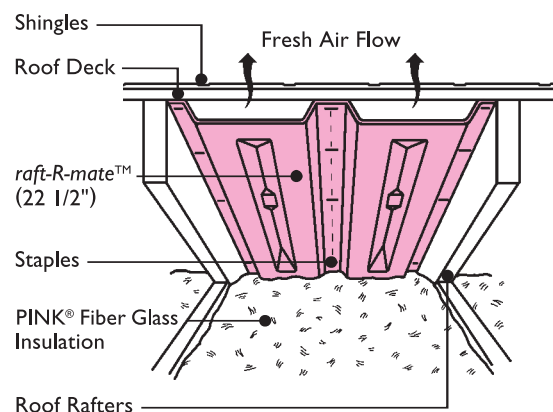
Installation

Remove all loose debris from above soffit vent. Place ready-to-use raft-R-mate™ vent between roof rafters (as illustrated above) in such a manner as to prevent batt or loose-fill insulation from obstructing the soffit vent. To ensure long-term placement of raft-R-mate™ vent, staple flange and center valley (if applicable) every 10" to underside of roof deck with coated roof staples (3/8" max.).

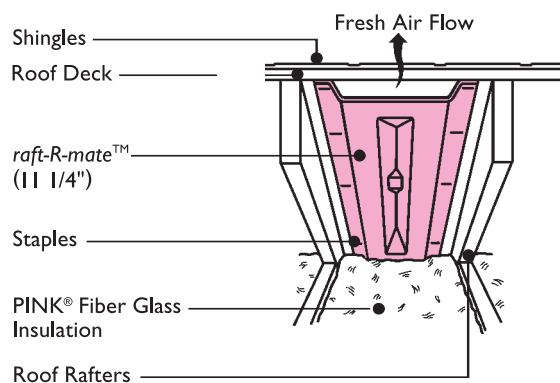
DO IT RIGHT. DO IT PINK.™

Select raft-R-mate™ when you use these other quality products from Owens Corning:
PINK® Fiber Glass Insulation Batts for the attic,
and PROPINK™ Loosefill Fiber Glass Insulation.

New construction – 24" spacing



Retrofit construction – 16" spacing



Size	Vents Per Carton	Cartons Per Unit
22 1/2" x 48"	75	12

For more information call
1-800-GET-PINK®
 or visit www.owenscorning.com



INNOVATIONS FOR LIVING™

Caution: Combustible. raft-R-mate™ will ignite if exposed to fire of sufficient heat and intensity.
Notice: We shall not be liable for incidental and consequential damages, directly or indirectly sustained, nor any loss caused by application of these goods not in accordance with current printed instructions or for other than the intended use. Our liability is expressly limited to the replacement of defective goods. Any claim shall be deemed waived unless made in writing to us within thirty (30) days from the date it was or reasonably should have been discovered.

THE PINK PANTHER™ & © 2003 United Artists Corporation. The colour PINK® is a registered trademark of Owens Corning. All rights reserved. © 2003 Owens Corning. All rights reserved. INNOVATIONS FOR LIVING™ is a trademark of Owens Corning.

Printed in Canada March 2003

Pub. No. 30011372